

Precision with Bite



The Shark logo features a stylized white shark head profile on the left, followed by the word 'Shark' in a bold, italicized, white sans-serif font.

The Resectoscopes from Richard Wolf



Consistently efficient

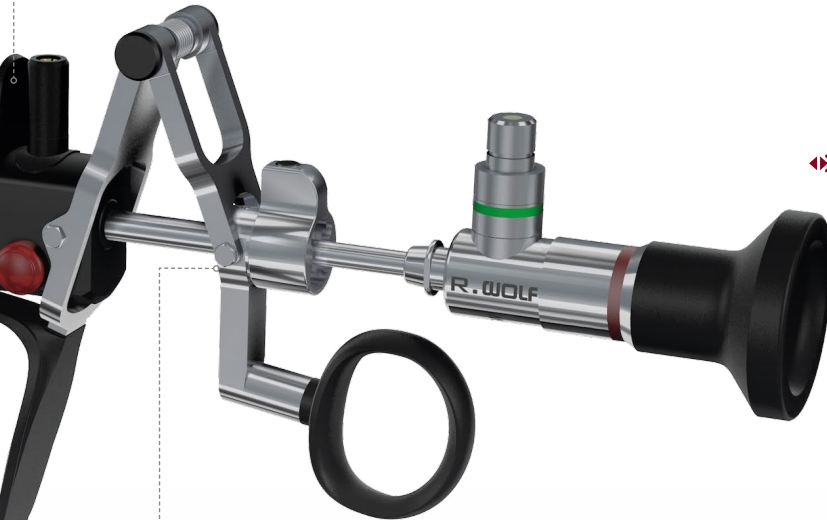
- **Long working length**
for the therapy of large prostate adenomas
- **Optimized irrigation stopcocks**
with large cross-section
- **Precise cutting**
provided by the stable
electrode guide
- **High irrigation performance**
and precise irrigation flow control
through "SHARK-tip" geometry
- **Intuition as operating principle**
simple to connect, simple to
release, robust, simply smart

Progress at every level.

Richard Wolf resectoscopes for urology have formed a platform for the therapeutic and diagnostic interventions at the highest level for many decades.

The **SHARK Resectoscope Line**, now takes quality, control and safety to a new dimension. **SHARK** combines years of global experience and user feedback with innovative technology. The result is a high-quality system with absolutely no compromises that makes your work more efficient. You are able to connect and disconnect the system elements with one simple action. Quick connection is combined with high stability. See for yourself!

- **SHARK-fin finger support**
for comfortable handling



- **Soft stop**
for comfortable and fatigue-free working – particularly for longer interventions

- **Ergonomic overall design**
Consistent ergonomically designed working elements for more efficiency and control
- **Quality in your hands**
Stainless steel, ceramic, and biocompatible plastics guarantee maximum service life

- **Innovative HD Pendula camera head**
rotates 360° and able lock in any position

◀▶ **SNAP-ON**



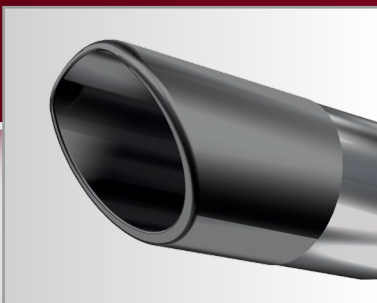
- **Perfect shape for your work**
This was also confirmed by the prestigious International Forum Design (iF). Our **SHARK Resectoscopes** were awarded the coveted iF Product Design Award 2013. Alongside quality of design, the assessment criteria also include finish, functionality and ergonomic styling.



Precision and ergonomic design



Precision at the cutting edge: Newly designed sheath system



■ "SHARK-tip"

The oblique sheath tip at the distal end made of black ceramic permits focused irrigation and prevents reflection of light

■ Freedom of choice

Continuous irrigation sheaths and variety of intermittent sheaths

■ **Freedom of movement** Double sheath system with 360° rotatable inner sheath

■ Freedom of connection

Inner and outer sheaths connectable in any position

■ Optimum flow

Optimized irrigation stopcock with large cross-section and "SHARK-tip" geometry for ideal flow characteristics

All applications under control: Monopolar and bipolar working elements

- **Maximum diversity**
active and passive working elements with open or closed handle design, for left-handed and right-handed users
- **Ergonomic design**
with special "SHARK-fin" finger supports and enlarged thumb rings for comfort
- **Soft stop** for fatigue-free working
- **Torsion-resistant connector**
for all system components
- **Twist-lock**
for secure connection of telescope and working element.
- **Automatic snap-on electrode locking** for intuitive fixation of the electrode

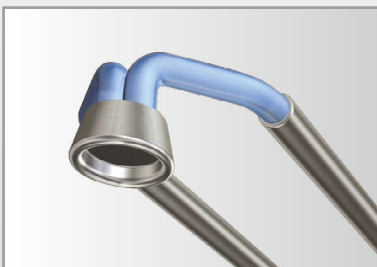
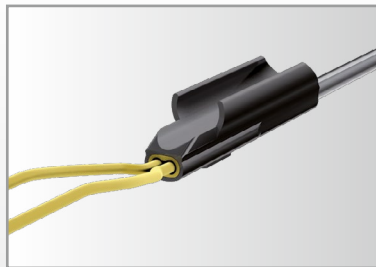
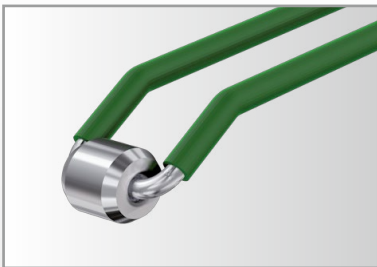




New perspectives in detail



Stability at the cutting edge:
Robust electrode concept



- **Monopolar and bipolar versions**
- **Enhanced stability**
on the basis of the newly designed structure for the electrode fork
- **Precise electrode guidance**
through working element and telescope
- **Maximum diversity**
for every application
- **Automatic snap-on electrode locking** at the working element
- **Color coding**
for simplified assignment of system components



- **Innovative PENDUAL**
Pendulum camera head for the
ENDOCAM Logic HD
Can also be aligned axially,
e.g. for rigid URS, PCNL, etc.
- **Snap-on connector** for a fast
connection with the telescope


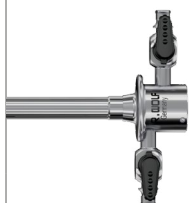
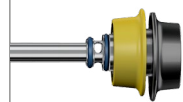


- **ENDOCAM Logic HD:**
The controller features an easy to
operate touch display and an
on-screen display with intuitive
and intelligent menu navigation.

Sheaths for continuous irrigation

Sheaths for intermittent irrigation

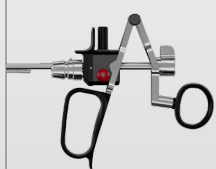

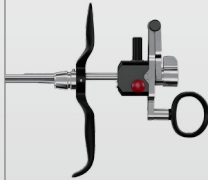

Sheath size	
Ds	22/24 Fr.
iS	24 Fr.
Ds	24/26 Fr.
iS	26 Fr.

Ds Double sheath system		
		
Outer sheath	Inner sheath	
		
8675424	8675322	
-	-	
8675426	8675324	
-	-	

iS Sheath with rotatable irrigation adapter		
		
Rotatable irrigation adapter with 4 mm luer connector	Rotatable irrigation adapter with 3 mm luer connector, with stopcock	Sheath
		
-	-	-
8676354	8676361	8676324
-	-	-
8676354	8676361	8676326
Two-way stopcock 883.12		

Monopolar working elements

Direction of view
0°
12°
30°



active		passive	
Closed handle	Closed handle with comfort thumb rest	Open handle	Closed handle
			
8681205*	-	8681224*	-
8674205	8674234	8674224	8674225
Replacement rubber cap, red (pack of 5) 8874			
Thumb ring with large inner diameter 15008.159			



Ds = Continuous irrigation

iS = intermittent irrigation

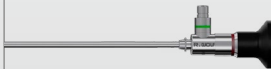

*not suitable for 22/24 Fr. double sheath system

Obturator

iS Sheath with central stopcock	
	
Sheath	Connecting part
-	-
8676424	8676342
-	-
8676426	8676343

Obturator	Viewing obturator	Dilation obturator
		
		
8673022	8673122	-
8673024	8673124	8673224
8673026	8673126	8673226

Telescopes, Ø 4 mm

Default	PDD
	
8650.414	8650.514
8654.431	8654.531
8654.422	8654.522
Fiber light cable 2.5 mm 3.0 m Set806625301	



Monopolar electrodes

12°/30°, for multiple use, monopolar



	Designation	Loop	for sheath sizes [in Fr.]				Color code		Type
			DS 22/24	iS 24	DS 24/26	iS 26	Fork	Stem	
	Cutting electrode	Loop ø 0.35 mm	✓	–	–	–	green	Dark gray	86782235
			–	✓	✓	–	yellow	Dark gray	86782435
			–	–	–	✓	black	Dark gray	86782635
		Loop ø 0.8 mm	–	✓	✓	–	yellow	Dark gray	86782480
	Coagulation electrode	Roller	✓	✓	✓	–	green	Dark gray	86782201
			–	–	–	✓	black	Dark gray	86782601
	Coagulation electrode	Sphere	✓	✓	✓	–	green	Dark gray	86782202
	Coagulation electrode	Button	✓	✓	✓	–	green	Dark gray	86782203
			–	–	–	✓	black	Dark gray	86782603
	Knife electrode	Knife	✓	✓	✓	–	green	Dark gray	86782204
			–	–	–	✓	black	Dark gray	86782604
	Hook electrode	Hook	✓	✓	✓	–	green	Dark gray	86782205
			–	–	–	✓	black	Dark gray	86782605
	EVAP electrode	barrel-shaped	–	✓	✓	✓	yellow	Dark gray	86782407
	EVAP electrode	Pyramid	–	✓	✓	✓	yellow	Dark gray	86782408
	EVAP electrode	Wing (loop profile flat)	✓	–	–	–	green	Dark gray	86782206
			–	✓	✓	–	yellow	Dark gray	86782406
			–	–	–	✓	black	Dark gray	86782606

✓ suitable for the relevant sheath size – not suitable

DS = Continuous irrigation

iS = intermittent irrigation

0°, for multiple use, monopolar

	Designation	Loop	for sheath sizes [in Fr.]				Color code		Type
			DS 22/24	IS 24	DS 24/26	IS 26	Fork	Stem	
	Cutting electrode	Loop ø 0.35 mm	–	✓	✓	–	yellow	Dark gray	86792435
			–	–	–	✓	black	Dark gray	86792635
	Coagulation electrode	Roller	–	✓	✓	–	green	Dark gray	86792201
	Coagulation electrode	Sphere	–	✓	✓	✓	transparent	Dark gray	86792202
	EVAP electrode	barrel-shaped	–	✓	✓	✓	yellow	Dark gray	86792407
	Knife electrode	Knife	–	✓	✓	✓	transparent	Dark gray	86792204
	Hook electrode	Hook	–	✓	✓	✓	transparent	Dark gray	86792205

DS = Continuous irrigation

IS = intermittent irrigation



Monopolar electrodes

12°/30°, for single use, sterile*, monopolar

	Designation	Loop	for sheath sizes [in Fr.]				Color code		Type
			DS 22/24	iS 24	DS 24/26	iS 26	Fork	Stem	
	Cutting electrode (pack of 10)	Loop ø 0.35 mm	✓	–	–	–	green	transparent	46782235
			–	✓	✓	–	yellow	transparent	46782435
		–	–	–	✓	black	transparent	46782635	
		✓	–	–	–	green	transparent	46782225	
	Cutting electrode (pack of 5)	Loop ø 0.25 mm	–	✓	✓	–	yellow	transparent	46782425
			–	✓	✓	–	yellow	transparent	46782480
	Hook electrode (pack of 5)	Hook	✓	✓	✓	–	green	transparent	46782205
			–	–	–	✓	black	transparent	46782605
	Coagulation electrode (pack of 5)	Roller	✓	✓	✓	–	green	transparent	46782201
	Coagulation electrode (pack of 5)	Sphere	✓	✓	✓	–	green	transparent	46782202
	Coagulation electrode (pack of 5)	Button	✓	✓	✓	–	green	transparent	46782203
			–	–	–	✓	black	transparent	46782603
	Knife electrode (pack of 5)	Knife	✓	✓	✓	–	green	transparent	46782204
			–	–	–	✓	black	transparent	46782604

✓ suitable for the relevant sheath size – not suitable

* packed single, sterile

DS = Continuous irrigation

iS = intermittent irrigation






0°, for single use, sterile*, monopolar

	Designation	Loop	for sheath sizes [in Fr.]				Color code		Type
			DS 22/24	iS 24	DS 24/26	iS 26	Fork	Stem	
	Cutting electrode (pack of 5)	Loop ø 0.35 mm	–	✓	✓	–	yellow	transparent	46792435
			–	–	–	✓	black	transparent	46792635
	Hook electrode (pack of 5)	Hook	–	✓	✓	–	transparent	transparent	46792205
	Coagulation electrode (pack of 5)	Roller	–	✓	✓	–	green	transparent	46792201
	Knife electrode (pack of 5)	Knife	–	✓	✓	–	transparent	transparent	46792204

✓ suitable for the relevant sheath size – not suitable * packed single, sterile

DS = Continuous irrigation **iS** = intermittent irrigation

HF connection cable, monopolar

Connection of HF device	Manufacturer of HF device	Length	Type
	ERBE, ACC, ICC	3 m	815.032
		5 m	815.052
	ERBE T Series	3 m	815.132
		5 m	815.152
	Martin, Berchtold, Aesculap	3 m	815.031
		5 m	815.051
	Bovie, Valleylab, Erbe Int.	3 m	815.033
		5 m	815.053
	Eschmann and other devices with a 4 mm plug	3 m	815.034
		5 m	815.054



Bipolar resectoscopes

Sheaths for continuous irrigation

Ds		Double sheath system	
	Outer sheath	Inner sheath	
	8675424	8675322	
	-	-	
	8675426	8675324	
	-	-	

Sheath size	
Ds	22/24 Fr.
iS	24 Fr.
Ds	24/26 Fr.
iS	26 Fr.

Sheaths for intermittent irrigation

iS			Sheath with rotatable irrigation adapter		
	Rotatable irrigation adapter with 4 mm luer connector	Rotatable irrigation adapter with 3 mm luer connector with stopcock	Sheath		
	-	-	-		
	8676354	8676361	8676324		
	-	-	-		
	8676354	8676361	8676326		
Two-way stopcock 883.12					

Bipolar working elements



active		passive	
Closed handle	Open handle	Open handle	Closed handle
8680.205	8680.204	8680.224	8680.225
Replacement rubber cap, black (pack of 5) 8880			
Thumb ring with large inner diameter 15008.159			


Direction of view	
	0°
	12°
	30°

Ds = Continuous irrigation

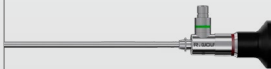

iS = intermittent irrigation

Obturator

iS Sheath with central stopcock	
	
Sheath	Connecting part
-	-
8676424	8676342
-	-
8676426	8676343

Obturator	Viewing obturator	Dilation obturator
		
		
8673022	8673122	-
8673024	8673124	8673224
8673026	8673126	8673226




Telescopes, Ø 4 mm

Default	PDD
	
8650.414	8650.514
8654.431	8654.531
8654.422	8654.522
Fiber light cable 2.5 mm 3.0 m Set806625301	



Bipolar electrodes

12°/30°, for multiple use, bipolar


	Designation	Loop	for sheath sizes [in Fr.]				Color code		Type
			Ds 22/24	iS 24	Ds 24/26	iS 26	Fork	Stem	
	Cutting electrode	Loop ø 0.3 mm	✓	–	–	–	blue	yellow	8622133
			–	✓	✓	✓	blue	yellow	8622131
	Coagulation electrode	Cylinder ø 1.2 mm	✓	✓	✓	✓	blue	yellow	8623022
	Hook electrode	Hook	✓	✓	✓	✓	blue	yellow	862309

✓ suitable for the relevant sheath size – not suitable

Ds = Continuous irrigation

iS = intermittent irrigation

0°, for multiple use, bipolar

	Designation	Loop	for sheath sizes [in Fr.]				Color code		Type
			DS 22/24	iS 24	DS 24/26	iS 26	Fork	Stem	
	Cutting electrode	Loop ø 0.3 mm	–	✓	✓	–	blue	yellow	8609031

DS = Continuous irrigation

iS = intermittent irrigation



Bipolar electrodes

12°/30°, for single use, sterile*, bipolar

	Designation	Loop	for sheath sizes [in Fr.]				Color code		Type
			DS 22/24	iS 24	DS 24/26	iS 26	Fork	Stem	
	Cutting electrode (pack of 3)	Loop ø 0.3 mm	✓	–	–	–	blue	blue	4622.1333
			–	✓	✓	–	blue	blue	4622.1313
			–	–	–	✓	green	blue	4624.1313
		Loop ø 0.25 mm	✓	–	–	–	blue	blue	4622.2533
			–	✓	✓	✓	blue	blue	4622.2513
	Cutting electrode, oval (pack of 3)	Loop ø 0.3 mm	–	✓	✓	✓	blue	blue	4622.1323
	Coagulation electrode (pack of 3)	Cylinder ø 1.2 mm	✓	–	–	–	blue	blue	4623.0243
			–	✓	✓	✓	blue	blue	4623.0223
	BiVAP electrode (pack of 3)	Donut	✓	–	–	–	blue	blue	46300223
			–	✓	✓	✓	blue	blue	46300243

✓ suitable for the relevant sheath size – not suitable

* packed single, sterile

DS = Continuous irrigation

iS = intermittent irrigation



0°, for single use, sterile*, bipolar

	Designation	Loop	for sheath sizes [in Fr.]				Color code		Type
			DS 22/24	iS 24	DS 24/26	iS 26	Fork	Stem	
	Cutting electrode (pack of 3)	Loop ø 0.3 mm	–	✓	✓	–	blue	blue	4609.0313
		Loop ø 0.25 mm	–	–	–	✓	green	blue	4611.0313
	Cutting electrode, oval (pack of 3)	Loop ø 0.3 mm	–	✓	✓	✓	blue	blue	4609.0323
	Coagulation electrode (pack of 3)	Cylinder ø 1.2 mm	–	✓	✓	✓	blue	blue	4610.0223
	BIVAP electrode (pack of 3)	Donut	–	✓	✓	✓	blue	blue	46310243

✓ suitable for the relevant sheath size – not suitable * packed single, sterile

DS = Continuous irrigation **iS** = intermittent irrigation

HF connection cable, bipolar

Connection of HF device	Manufacturer of HF device	Length	Type
	ERBE	3 m	8108.232
		5 m	8108.252
	Martin	3 m	8108.231
		5 m	8108.251

